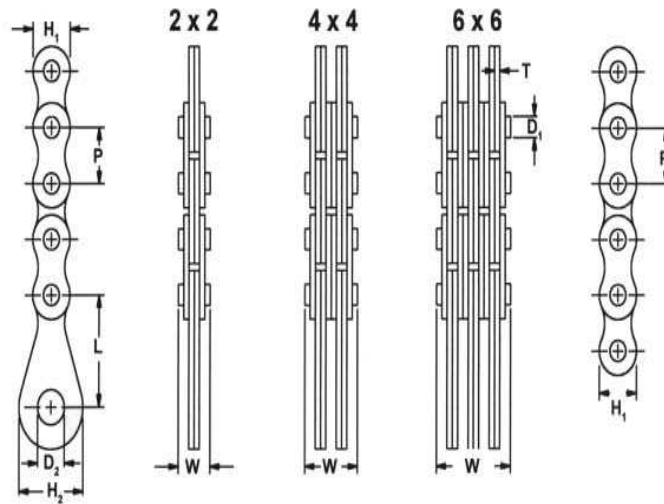


Metric Leaf Chain



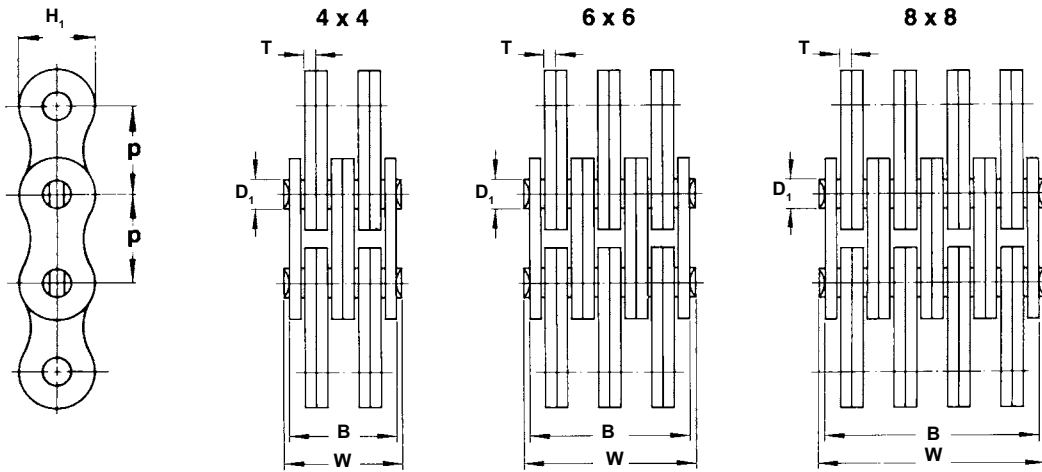
SHOWN WITH TERMINAL LINK

SHOWN WITHOUT TERMINAL LINK

European Standard Leaf Chain

Chain No.	Intl. Ref. No.	Pitch P	Lacing	Overall Width W	Pin Diameter D_1	Chain Height H_1	Plate Thickness T	Link Height H_2	Link Length L	Link Hole D_2	Break Load N	Weight kg/m
LF 122	LL 08 22	12.7	2 x 2	9.0	4.45	10.7	1.55	20	30	10	18,000	0.39
LF 124	LL 08 44		4 x 4	15.2							36,000	0.74
LF 126	LL 08 66		6 x 6	21.4							54,000	1.1
LF 152	LL 10 22	15.875	2 x 2	10	5.08	12.6	1.72	20	30	10	26,000	0.5
LF 154	LL 10 44		4 x 4	17.1							50,000	0.96
LF 156	LL 10 66		6 x 6	24.1							78,000	1.39
LF 192	LL 12 22	19.05	2 x 2	10.7	5.72	14.7	1.83	20	30	10	33,000	0.59
LF 194	LL 12 44		4 x 4	18.1							66,000	1.15
LF 196	LL 12 66		6 x 6	25.4							99,000	1.7
LF 252	LL 16 22	25.4	2 x 2	17.2	8.28	21.4	3	35	45	16	70,000	1.56
LF 254	LL 16 44		4 x 4	29.3							140,000	3.04
LF 256	LL 16 66		6 x 6	41.3							210,000	4.53
LF 312	LL 20 22	31.75	2 x 2	20.3	10.19	24.5	3.75	35	45	16	105,000	2.01
LF 314	LL 20 44		4 x 4	36.5							210,000	3.93
LF 316	LL 20 66		6 x 6	51.5							315,000	5.86
LF 382	LL 24 22	38.1	2 x 2	26.5	14.63	33.4	5	50	60	26	175,000	4.18
LF 384	LL 24 44		4 x 4	46.5							350,000	8.48
LF 386	LL 24 66		6 x 6	67.5							475,000	12.2
LF 442	LL 28 22	44.45	2 x 2	30.5	15.87	40	6	60	70	36	210,000	6.25
LF 444	LL 28 44		4 x 4	54.5							410,000	12.2
LF 446	LL 28 66		6 x 6	80.5							605,000	18.2
LF 502	LL 32 22	50.80	2 x 2	30.5	17.83	43	6	60	70	36	265,000	6.73
LF 504	LL 32 44		4 x 4	54.5							530,000	13.1
LF 506	LL 32 66		6 x 6	80.5							800,000	19.5
LF 508	LL 32 88		8 x 8	105.5							1,050,000	25.8

Metric Leaf Chain



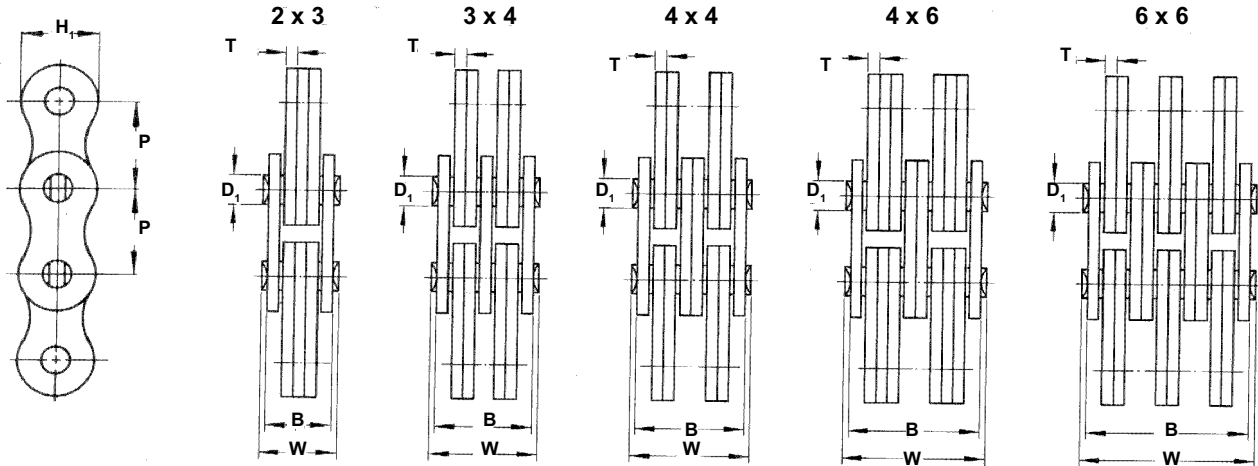
Leaf Chain with Case-Hardened Bushings

Chain No.	Pitch P	Lacing	Overall Width W	Plate Width B	Pin Diameter D ₁	Chain Height H ₁	Plate Thickness T	Break Load N	Weight kg/m
FB 124	12.7	4 x 4	15.2	12.8	4.45	11.7	1.55	36,000	0.93
FB 126		6 x 6	21.4	19				54,000	1.4
FB 154	15.875	4 x 4	17.1	14.5	5.08	14.4	1.72	52,000	1.2
FB 156		6 x 6	24.1	21.5				78,000	1.8
FB 158		8 x 8	30.9	28				102,000	2.3
FB 194	19.05	4 x 4	18.1	15.2	5.72	16.1	1.83	64,000	1.4
FB 196		6 x 6	25.4	22.6				95,000	2.3
FB 194 S	19.05	4 x 4	22.2	19.2	6.5	18.1	2.35	85,000	2
FB 196 S		6 x 6	31.7	28.8				130,000	2.9
FB 254	25.4	4 x 4	29.3	25.6	8.28	23	3	140,000	3.5
FB 256		6 x 6	41.3	37.5				210,000	5
FB 258		8 x 8	52.1	49				280,000	6.8

Leaf Chain in Special Heavy Duty Construction

FH 384	38.1	4 x 4	53.2	42	14.63	33	5	354,000	9.1
FH 386		6 x 6	75.2	62				540,000	12.5
FH 388		8 x 8	94.2	83				700,000	16.5
FH 504	50.8	4 x 4	60.2	50	17.81	43	6	530,000	13.5
FH 506		6 x 6	87.2	74				800,000	20
FH 508		8 x 8	111.2	99				1,050,000	26.5
FH 634	63.5	4 x 4	81.2	70	22.89	52	8	845,000	19.4
FH 636		6 x 6	112.2	101				1,270,000	29.1
FH 638		8 x 8	142.2	135				1,690,000	38.8

Metric Leaf Chain

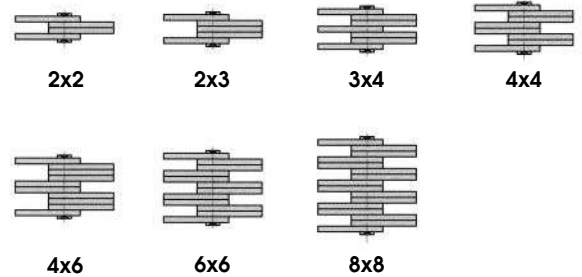
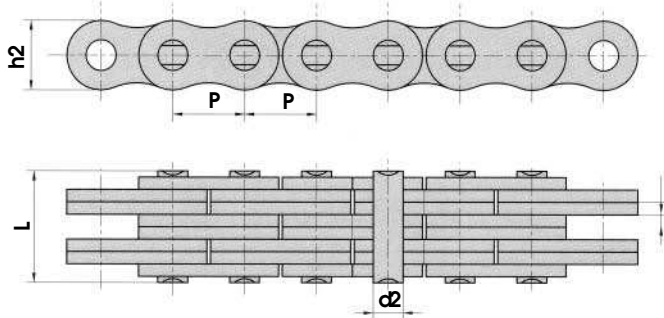


Leaf Chain with Special Lacing

Chain No.	Pitch P	Lacing	Overall Width W	Plate Width B	Pin Diameter D ₁	Chain Height H ₁	Plate Thickness T	Break Load N	Weight kg/m
BL 523	15.875	2 x 3	15.3	12.6	5.96	15.1	2.4	33,400	1.1
BL 534		3 x 4	20.3	17.5				50,100	1.5
BL 544		4 x 4	22.7	20.0				66,800	1.8
BL 546		4 x 6	27.7	24.8				66,800	2.2
BL 623	19.05	2 x 3	20.7	17.0	7.94	18.1	3.2	48,900	1.8
BL 634		3 x 4	27.4	24.5				73,400	2.5
BL 644		4 x 4	30.7	27.8				97,800	2.9
BL 646		4 x 6	37.4	34.4				97,800	3.6
BL 666		6 x 6	44.2	41.0				146,800	4.3
BL 823	25.4	2 x 3	25.4	21.1	9.54	24.1	3.9	84,500	2.7
BL 834		3 x 4	33.7	29.2				126,800	3.8
BL 844		4 x 4	37.9	33.2				169,000	4.3
BL 846		4 x 6	46.1	41.4				169,000	5.4
BL 866		6 x 6	54.4	49.4				253,600	6.5
BL 1023	31.75	2 x 3	30.3	25.2	11.11	30.2	4.7	115,600	4.3
BL 1034		3 x 4	40.2	35.3				173,400	6.0
BL 1044		4 x 4	45.1	40.0				231,200	6.9
BL 1046		4 x 6	55.0	50.3				231,200	8.6

American Standard (ANSI) Chain Leaf Chain

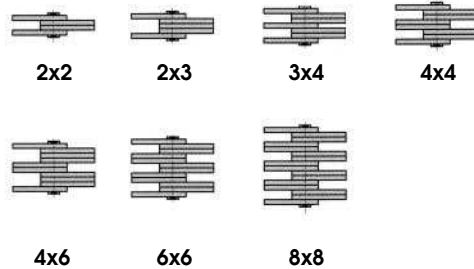
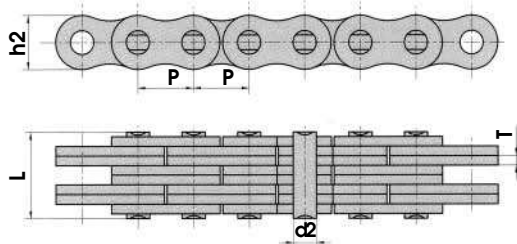
Plate Lacing



ANSI Chain No.	Pitch	Plate Lacing	Plate Depth h2 max.	Plate Thickness T max.	Pin Diameter d2 max.	Pin Length L max.	Ultimate Tensile Strength	Average Tensile Strength	Weight Per Ft
	P						Q min kN/LB	Q ₀ kN	q lbs / ft
BL422	0.500	2 x 2	0.475	0.082	0.200	0.435	22.2/5045	27.6	0.29
BL423		2 x 3				0.518	22.2/5045	27.6	0.36
BL432		3 x 4				0.685	33.4/7591	41.4	0.51
BL444		4 x 4				0.768	44.5/10114	56.0	0.58
BL446		4 x 6				0.935	44.5/10114	56.0	0.73
BL466		6 x 6				1.102	66.7/15159	81.7	0.87
BL488		8 x 8				1.435	89.0/20227	109.4	1.16
BL522		2 x 2				0.508	33.4/7591	43.1	0.40
BL523	0.625	2 x 3	0.594	0.096	0.235	0.605	33.4/7591	43.1	0.50
BL534		3 x 4				0.800	48.9/11114	65.6	0.68
BL544		4 x 4				0.897	66.7/15159	84.5	0.82
BL546		4 x 6				1.092	66.7/15159	84.5	1.00
BL566		6 x 6				1.287	100.1/22750	125.1	1.20
BL588		8 x 8				1.676	133.4/30318	169.5	1.59
BL622		2 x 2				0.684	48.9/11114	63.6	0.66
BL623		2 x 3				0.816	48.9/11114	63.6	0.82
BL634	0.750	3 x 4	0.713	0.130	0.313	1.080	75.6/17181	102.8	1.13
BL644		4 x 4				1.212	97.9/22250	120.9	1.32
BL646		4 x 6				1.476	97.9/22250	120.9	1.63
BL666		6 x 6				1.740	146.8/33364	190.8	1.95
BL688		8 x 8				2.268	195.7/44477	238.8	2.63
BL822		2 x 2				0.840	84.5/19204	108.2	1.00
BL823		2 x 3				1.003	84.5/19204	108.2	1.23
BL834		3 x 4				1.329	129.0/29318	170.0	1.72
BL844	1.000	4 x 4	0.950	0.161	0.376	1.492	169.0/38409	214.6	1.95
BL846		4 x 6				1.818	169.0/38409	214.6	2.45
BL866		6 x 6				2.144	253.6/57636	324.5	2.95
BL888		8 x 8				2.796	338.1/76841	432.7	3.90

American Standard (ANSI) Chain Leaf Chain

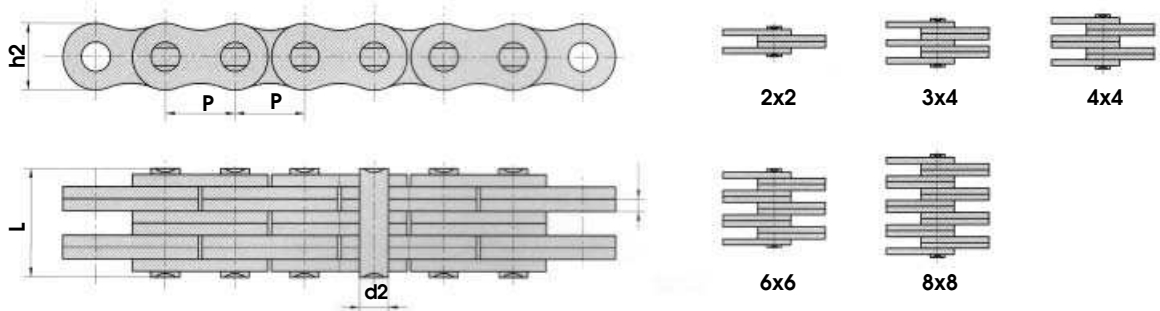
Plate Lacing



ANSI Chain No.	Pitch	Plate Lacing	Plate Depth	Plate Thickness	Pin Diameter	Pin Length	Ultimate Tensile Strength Q	Average Tensile Strength	Weight Per Ft
	P	min.	h2 max.	T max.	d2 max.	L max.	min kN/LB	Q ₀ kN	q lbs / ft
BL1022	1.250	2 x 2	1.188	0.193	0.437	0.999	115.6/26272	150.8	1.54
BL1023		2 x 3				1.194	115.6/26272	150.8	1.95
BL1034		3 x 4				1.584	182.4/41454	231.6	2.72
BL1044		4 x 4				1.779	231.3/52568	291.4	3.13
BL1046		4 x 6				2.169	231.352568	291.4	3.90
BL1066		6 x 6				2.559	347.0/78863	430.3	4.67
BL1088		8 x 8				3.339	462.6/105136	555.1	6.26
BL1222		2 x 2				1.166	151.2/34363	192.0	2.09
BL1223	2 x 3	1.395	151.2/34363	192.0	2.63				
BL1234	3 x 4	1.853	244.6/55591	315.9	3.68				
BL1244	1.500	4 x 4	1.425	0.227	0.500	2.082	302.5/68750	381.1	4.22
BL1246		4 x 6				2.540	302.5/68750	381.1	5.26
BL1266		6 x 6				2.998	453.7/103113	543.6	6.31
BL1288		8 x 8				3.914	605.0/137500	726.0	8.44
BL1422		2 x 2				1.321	191.3/43477	225.7	2.77
BL1423		2 x 3				1.581	191.3/43477	225.7	3.45
BL1434		3 x 4				2.101	315.8/71772	372.6	4.81
BL1444		4 x 4				2.361	382.6/86954	451.2	5.54
BL1446	1.750	4 x 6	1.663	0.262	0.563	2.881	382.6/86954	451.2	6.90
BL1466		6 x 6				3.401	578.3/131431	682.4	8.26
BL1488		8 x 8				4.441	765.1/173886	902.8	11.03
BL1622		2 x 2				1.536	289.1/65704	341.1	3.63
BL1623		2 x 3				1.834	289.1/65704	341.1	4.54
BL1634		3 x 4				2.430	440.4/100091	519.6	6.35
BL1644		4 x 4				2.728	573.8/131431	680.4	7.26
BL1646		2.000				4 x 6	1.900	0.296	0.687
BL1666	6 x 6		3.920	857.4/194863	1000.7	10.89			
BL1688	8 x 8		5.112	1156.5/262841	1364.6	14.52			
BL2022	2 x 2		2.037	433.7/98568	511.7	7.17			
BL2023	2 x 3		2.429	433.7/98568	511.7	8.98			
BL2034	3 x 4		3.213	649.4/147590	766.2	12.57			
BL2044	4 x 4		3.605	867.4/197163	1023.5	14.34			
BL2046	2.500		4 x 6	2.375	0.390	0.937			
BL2066		6 x 6	5.173				1301.1/295704	1535.2	21.51
BL2088		8 x 8	6.741				1734.8/394272	2046.5	28.68

American Standard (ANSI) Chain Leaf Chain

Plate Lacing



ANSI Chain No.	Pitch	Plate Lacing	Plate Depth	Plate Thickness	Pin Diameter	Pin Length	Ultimate Tensile Strength Q	Average Tensile Strength	Weight Per Ft
	P	min.	h2 max.	T max.	d2 max.	L max.	min kN/LB	Q ₀ kN	q lbs / ft
AL322		2 x 2				0.268	9.0/2045	10.2	0.10
AL344	0.375	4 x 4	0.303	0.051	0.141	0.457	18.0/4090	20.0	0.21
AL422		2 x 2				0.327	14.1/3205	16.9	0.18
AL444	0.500	4 x 4	0.409	0.059	0.156	0.567	28.2/6409	35.2	0.34
AL466		6 x 6				0.807	42.3/9614	52.7	0.51
AL522		2 x 2				0.435	22.0/5000	27.5	0.29
AL534		3 x 4				0.669	33.0/7500	46.0	0.50
AL544	0.625	4 x 4	0.504	0.080	0.200	0.764	44.0/10000	55.0	0.57
AL566		6 x 6				1.083	66.0/15000	82.5	0.81
AL622		2 x 2				0.512	37.0/8409	44.4	0.39
AL644	0.750	4 x 4	0.614	0.095	0.234	0.894	63.7/14450	78.8	0.80
AL666		6 x 6				1.268	100.1/22750	118.6	1.18
AL688		8 x 8				1.661	133.4/30317	156.6	1.58
AL822		2 x 2				0.630	56.7/12886	68.6	0.70
AL844	1.000	4 x 4	0.807	0.128	0.312	1.157	113.4/25773	135.6	1.36
AL866		6 x 6				1.740	170.0/38636	202.3	2.02
AL1022		2 x 2				0.772	88.5/20114	107.1	1.08
AL1044	1.250	4 x 4	1.008	0.157	0.375	1.433	177.0/40227	203.6	2.12
AL1066		6 x 6				2.059	265.0/60227	315.3	3.27
AL1088		8 x 8				2.697	354.0/80454	421.2	4.51
AL1222		2 x 2				0.957	127.0/28864	151.1	1.66
AL1244	1.500	4 x 4	1.201	0.189	0.437	1.724	254.0/57727	299.7	3.20
AL1266		6 x 6				2.488	381.0/86591	426.3	4.76
AL1288		8 x 8				3.252	508.0/11545	568.4	6.37
AL1444	1.750	4 x 4	1.433	0.220	0.498	2.020	372.7/84705	413.6	4.69
AL1466		6 x 6				2.935	559.0/127045	620.4	6.88
AL1644	2.000	4 x 4	1.638	0.252	0.559	2.283	471.0/107045	522.8	5.89
AL1666		6 x 6				3.299	706.0/160454	783.6	8.97
AL1688		8 x 8				4.311	942.0/214090	1045.5	11.56