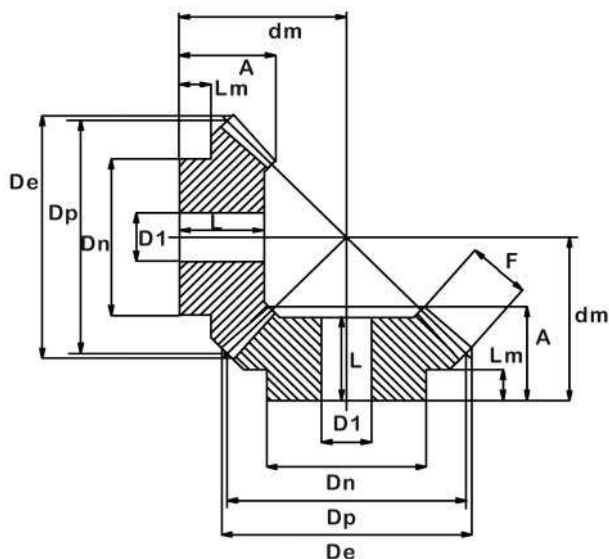


Metric Bevel Gear Sets

20 Degree Pressure Angle

Material: AISI 1040

Minimum Plain Bore



1:1 RATIO

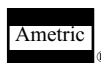
MODULE	Teeth	De	Dp	A	F	Dn	D1 ±1 mm	dm	L	Lm
1.5	16	26.1	24.0	18	8	18	8	25.1	17	8.9
	20	32.1	30.0	20	8	22	10	28.7	18	9.8
	22	35.1	33.0	20	8	25	10	30.2	18	9.7
	25	39.6	37.5	23	8	28	10	35.4	21	12
	30	47.1	45.0	25	10	30	12	39.7	22.5	12
2	16	34.8	32.0	20	9	25	10	28.8	17	9.3
	20	42.8	40.0	25	12	32	10	35.7	22	12
	22	46.8	44.0	25	12	36	10	37.7	22	11.7
	25	52.8	50.0	28	14	40	12	42.3	25	12.3
	30	62.8	60.0	30	16	50	12	47.8	27	12.8
2.5	16	43.5	40.0	25.5	10	32	12	37.3	22	13.3
	20	53.5	50.0	30.5	12	40	12	45.9	27	16
	22	58.5	55.0	30.5	12	45	12	48.3	27	15.9
	25	66.0	62.5	33.5	15	50	15	53.0	30	16
	30	78.5	75.0	35.5	18	55	15	59.1	32	16
3	16	52.2	48.0	30	12	40	15	44.2	26	16.2
	20	64.2	60.0	35	18	45	15	51.1	31	13.6
	22	70.2	66.0	35	18	50	15	54.0	31	13
	25	79.2	75.0	38	20	55	15	60.1	34	16
	30	94.2	90.0	40	22	60	20	68.1	36	19
3.5	16	60.9	56.0	35.5	16	45	15	50.8	31	17.2
	20	74.9	70.0	40.5	22	55	15	58.6	36	19
	22	81.9	77.0	40.5	22	60	15	62.0	36	18
	25	92.4	87.5	43.5	26	65	20	67.5	39	18
	30	109.9	105.0	45.5	30	70	20	75.4	41	17
4	16	69.6	64.0	38	18	50	15	55.6	33	16.6
	20	85.6	80.0	43	25	60	18	63.8	38	18
	22	93.6	88.0	43	25	65	18	67.7	38	18
	25	105.6	100.0	45	28	70	20	73.5	40	18
	30	125.6	120.0	48	32	80	25	83.7	43	18
4.5	16	78.3	72.0	43	20	55	18	63.0	37	18.5
	20	96.3	90.0	48	28	65	20	71.5	42	18
	22	105.3	99.0	48	28	70	20	75.8	42	18
	25	118.8	112.5	50	32	75	20	81.8	44	18
	30	141.3	135.0	53	35	90	25	93.8	47	17
5	16	87.0	80.0	45.5	22	60	20	67.8	39	17.8
	20	107.1	100.0	50.5	30	70	20	77.3	44	18.5
	22	117.1	110.0	50.5	30	80	20	82.2	44	18.5
	25	132.1	125.0	54.5	35	90	20	90.2	48	18.5
	30	157.1	150.0	56.5	38	110	30	102.4	50	18

Ordering Example:

1.5M16/16

1.5M Module

16 Teeth



Metric Bevel Gear Sets

1:2 RATIO

MODULE	Teeth	De	Dp	A	F	Dn	D1 ±1 mm	dm	L	Lm
1.5	16	26.7	24	18.5	8	21	10	34.9	17	10.3
	32	49.3	48	20	8	32	12	27.5	17.5	10
2	16	35.6	32	23	10	27	10	45.4	21	12.2
	32	65.8	64	25	10	40	12	35.2	22	10
2.5	16	44.4	40	27.5	12	34	12	56.0	25	14.4
	32	82.2	80	30	12	50	15	43.0	26.5	15
3	16	53.4	48	28	15	40	15	61.6	25	11.6
	32	98.7	96	35	15	60	15	50.4	30.5	15
3.5	16	62.3	56	33.5	18	48	15	72.3	30.5	14.4
	32	115.1	112	40	18	70	20	57.7	35	19
4	16	71.1	64	36	20	50	20	80.8	32	13.4
	32	131.6	128	45	20	80	20	65.5	39.5	23
4.5	16	80.1	72	39.5	22	60	20	90.4	35	15.4
	32	148.0	144	50	22	80	25	73.2	43.5	24
5	16	88.9	80	50	25	60	20	106.1	45	21.1
	32	164.5	160	55	25	85	25	80.6	48	27

1:3 RATIO

1.5	16	26.9	24	22	12	20	10	46.3	21	9.7
	48	72.9	72	22	12	42	15	29.2	19	12
2	16	35.8	32	25.5	15	25	12	58.9	24	9.4
	48	97.3	96	26	15	50	15	35.9	22	13
2.5	16	44.7	40	28	18	33	14	70.4	26	9.2
	48	121.6	120	32	18	60	20	44.6	27	16
3	16	53.7	48	30	18	42	15	84.2	28	11.2
	48	145.9	144	38	18	65	20	54.1	32	19
3.5	16	62.6	56	36.5	22	48	15	98.8	34	13.4
	48	170.2	168	44	22	75	20	62.5	37	23
4	16	71.6	64	42	25	55	20	113.3	39	15.7
	48	194.5	192	50	25	85	22	71.2	42	27
4.5	16	80.6	72	53	28	60	20	133.4	50	23.4
	48	218.8	216	58	28	90	25	81.9	49	27
5	16	88.5	80	60	35	60	20	145.7	57	22.5
	48	243.1	240	65	35	100	28	90.5	55	35

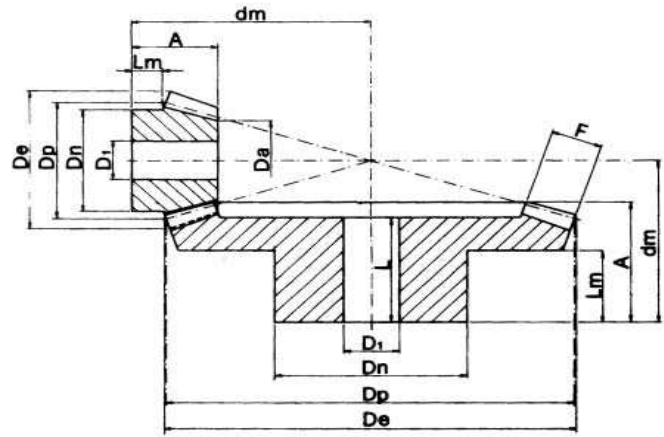
1:4 RATIO

1.5	16	26.9	24	25	12	18	10	61.1	24	12.2
	64	96.7	96	25	12	60	15	33	22	13
2	16	35.9	32	24	15	25	12	73.1	23	8.5
	64	129.0	128	28	15	70	20	38.9	24	14
2.5	16	44.9	40	30.5	18	34	15	92.6	29	11.7
	64	161.2	160	35	18	80	20	48.8	30	16
3	16	53.8	48	32	20	40	15	108	30	11.1
	64	193.5	192	42	20	90	20	58.8	36	22
3.5	16	62.8	56	40	25	45	15	127.1	38	14
	64	225.7	224	50	25	100	25	69.3	43	22
4	16	71.7	64	50	30	50	20	148.2	48	18.5
	64	257.9	256	60	30	110	28	81.8	52	30
4.5	16	80.7	72	55	32	60	20	167.1	53	21.6
	64	290.1	288	65	32	120	30	89.8	57	35
5	16	89.7	80	60	35	65	20	185.1	58	23.2
	64	322.4	320	70	35	120	30	97.7	61	42

Metric Bevel Gear Sets

TYPE B

20 Degree Pressure Angle
Material: C43 - UNI 7847



M	Z	De	Dp	A	F	Dn	D ₁	dm	Da	L	Lm
1	16	17.4	16.0	11.2	4	13.3	4	16	7		6.7
	19	20.4	19.0	11.8	4	15.3	4	18	11.5		6.6
	22	23.4	22.0	12.8	4.7	16.3	5	20	11.5		6.1
	26	27.4	26.0	13.3	5.5	20.3	5	22	14.5		7
1.5	30	31.4	30.0	16.0	6.4	20.3	5	26	17.5		8
	16	26.1	24.0	18.9	6	20.3	8	26	12		12.2
	19	30.6	28.5	21.3	7	20.3	8	30	14.5		11.6
	22	35.1	33.0	22.5	7.5	25.3	8	33	17		12.7
2	26	41.1	39.0	23.2	8.5	28.3	8	36	22		12
	30	47.1	45.0	27.2	10	30.0	12	42	26		12.1
	16	34.8	32.0	23.5	8	25.3	8	33	15.5		13.6
	19	40.8	38.0	24.2	9	25.3	8	36	19.5		12
2.5	22	46.8	44.0	27.9	10	30.3	10	42	23.5		14
	26	54.8	52.0	31.4	12	35.3	12	48	29		13.7
	30	62.8	60.0	34.1	13	40.3	12	54	36		17
	16	43.5	40.0	28.1	10	30.3	12	40	20		15.2
3	19	51.0	47.5	27.1	11	35.3	12	42	25		13
	22	58.5	55.0	30.1	12	45.3	12	48	31.5		15.7
	26	68.5	65.0	33.2	15	45.3	15	54	36.5		16
	30	78.5	75.0	39.0	16	50.3	15	64	45.5		20
3.5	16	52.2	48.0	31.7	12	40.3	12	46	23		18.1
	19	61.2	57.0	36.0	13	40.3	14	54	30		17.1
	22	70.2	66.0	36.9	15	50.3	15	58	36.5		17.1
	26	82.2	78.0	38.4	17	50.3	15	64	45.5		18
4	30	94.2	90.0	43.8	19	60.3	20	74	55		22
	16	60.9	56.0	36.4	14	45.3	15	53	27.5		19.8
	19	71.4	66.5	36.9	15	50.3	15	58	35.3		18
	22	81.9	77.0	39.1	17	55.3	15	64	43.5		18
4.5	26	95.9	91.0	42.2	20	60.3	20	72	52.3		20
	30	110.0	105.0	47.3	23	70.3	20	82	67	43	22
	16	69.7	64.0	44.3	15	50.3	15	64	32		25.1
	22	93.7	88.0	45.9	20	60.3	18	74	49		22
5	26	109.7	104.0	48.0	23	70.3	20	82	65	43	22
	30	125.7	120.0	54.2	26	80.3	25	94	76	49	25
	16	78.4	72.0	46.3	17.5	55.3	18	68	35.5		25
	22	105.3	99.0	50.1	22	70.3	20	82	56	25	25
5	26	123.3	117.0	53.2	25	75.3	20	92	68.1	45	25
	30	141.4	135.0	60.0	29	80.3	25	105	85	54	28
	16	87.1	80.0	48.9	18	60.3	20	74	42		25
	19	102.1	95.0	52.2	22	60.3	20	82	50		25
5	22	117.1	110.0	58.2	24	80.3	20	94	68	52	30
	26	137.1	130.0	62.7	29	80.3	20	105	82	57	30
	30	157.1	150.0	68.9	32	80.3	30	119	97	63	35

Ratio 1:1

Ordering Example:
1.5M16/16B

Metric BEVEL GEAR SETS

TYPE B

20 Degree Pressure Angle
Material: C43 - UNI 7847

Ratio 1:2

Ordering Example:
1.5M15/30B

M	Z	De	Dp	A	F	Dn	D ₁	dm	Da	L	Lm
1	15	17.4	15.0	11.9	5	13.3	4	22	8		6.6
	30	30.6	30.0	15.1	5	20.3	5	20		14	9
1.5	15	26.1	22.5	21.1	9	20.3	8	35	11.5		12
	30	45.9	45.0	25.2	9	32.3	8	32		23	16
2	15	34.8	30.0	26	11.5	25.3	8	45	16		13.8
	30	61.2	60.0	29.8	11.5	40.3	12	39		27	18
2.5	15	43.5	37.5	31.8	15	32.3	12	55	20		16.2
	30	76.5	75.0	33.7	15	45.3	15	45		30	20
3	15	52.2	45.0	37.3	17	40.3	12	66	25		19.8
	30	91.8	90.0	42.1	17	55.3	15	56		38	25
3.5	15	60.9	52.5	46.1	20.5	45.3	15	79	28.5		24.7
	30	107.1	105.0	45	20.5	60.3	20	61		40	25
4	15	69.6	60.0	48.6	22.5	50.3	20	87	34		24.6
	30	122.3	120.0	57.3	22.5	80.3	20	76		52	35
4.5	15	78.3	67.5	51.4	26	60.3	20	94	37.5		24.7
	30	137.6	135.0	60.3	26	80.3	25	81		53	35
5	15	87	75.0	57.6	30	60.3	20	104	40		25.3
	30	152.9	150.0	62.5	30	80.3	25	85		56	35

Ratio 1:3

Ordering Example:
1.5M15/45B

M	Z	De	Dp	A	F	Dn	D ₁	dm	Da	L	Lm
1	15	17.7	15.0	16.6	7.1	13.3	4	32	8		9.3
	45	45.3	45.0	17.1	7.1	25.3	8	22		15	10
1.5	15	26.5	22.5	22.6	10.5	19.3	8	46	14		11.7
	45	68.1	67.5	29.6	10.5	45.3	14	37		27	20
2	15	35.4	30.0	28.9	14	25.3	8	60	18		14.2
	45	90.8	90.0	32.1	14	45.3	15	42		29	20
2.5	15	44.2	37.5	34.6	18	32.3	12	73	22.5		15.9
	45	113.4	112.5	39.7	18	60.3	20	52		36	25
3	15	53	45.0	41.3	21	40.3	15	88	28.5		19.7
	45	136.1	135.0	47.2	21	60.3	20	62		42.5	30
3.5	15	61.9	52.5	49.6	23.5	45.3	15	105	33.5		25.1
	45	158.8	157.5	54.4	23.5	80.3	20	72		49	35
4	15	70.7	60.0	54.3	27.5	50.3	20	117	38		25.4
	45	181.5	180.0	57.0	27.5	80.3	22	77		51	35
4.5	15	79.5	67.5	55.2	28.5	55.3	20	128	44		24.8
	45	204.2	202.5	63.9	28.5	90.3	25	87		57	40
5	15	88.4	75.0	65.3	33	60.3	20	145	47		30
	45	226.9	225.0	66.7	33	90.3	28	92		59	40

Ratio 1:4

Ordering Example:
1.5M15/60B

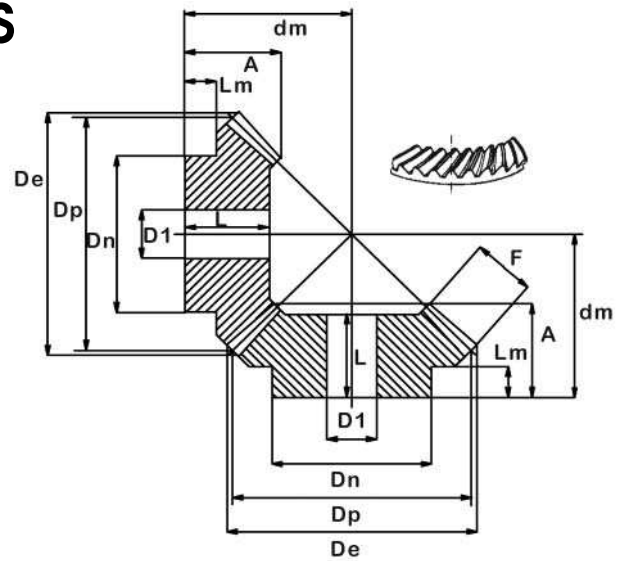
M	Z	De	Dp	A	F	Dn	D ₁	dm	Da	L	Lm
1	15	17.8	15.0	17.2	9.3	13.3	4	38	8		7.7
	60	60.3	60.0	17.1	9.3	30.3	8	22		15	10
1.5	15	26.7	22.5	23.0	11	20.3	8	57	15		11.7
	60	90.4	90.0	34	11	50.3	15	42		31	25
2	15	35.6	30.0	31	16	25.3	8	75	20		14.4
	60	120.6	120.0	37.6	16	60.3	16	48		34	25
2.5	15	44.5	37.5	38.1	19	32.3	14	94	25		18.4
	60	150.7	150.0	44.8	19	60.3	20	58		40	30
3	15	53.3	45.0	48.1	23	40.3	15	115	30		24.5
	60	180.8	180.0	53.2	23	80.3	20	69		48	35
3.5	15	62.2	52.5	52.1	26	45.3	15	131	36		25.1
	60	211.0	210.0	60.4	26	90.3	25	79		54	40
4	15	71.1	60.0	55.1	30	50.3	20	145	37.5		23.8
	60	241.1	240.0	60.8	30	90.3	28	82		53	40
4.5	15	79.9	67.5	59.1	34	60.3	20	160	45.2		24.1
	60	271.2	270.0	68.2	34	100.3	30	92		61	40
5	15	88.8	75.0	68.1	38	70.3	20	180	50.1		29.4
	60	301.3	300.0	73.5	38	110.3	30	100		66	40

METRIC SPIRAL BEVEL GEAR SETS

20 Degree Pressure Angle

Material: AISI 1040

Minimum Plain Bore



1:1 RATIO

MODULE	Teeth	De	Dp	A	F	Dn	D1±1 mm	dm	L	Lm
2	16	34.6	32.0	19.9	9	25	10	29	16.9	9.5
	20	42.6	40.0	24.9	12	32	10	36	21.7	12
	25	52.6	50.0	27.4	14	40	12	42	24.8	12
	30	62.6	60.0	29.9	16	50	12	48	26.9	13
2.5	16	43.2	40.0	24.8	10	32	12	37	21.8	13
	20	53.3	50.0	30.2	12	40	12	46	26.7	16
	25	65.8	62.5	33.2	15	50	15	53	29.9	16
	30	78.3	75.0	35.0	18	55	15	59	31.8	16
3	16	51.9	48.0	29.4	12	40	15	44	25.8	16
	20	63.9	60.0	34.5	18	45	15	51	30.7	13.5
	25	78.9	75.0	37.5	20	55	15	60	33.7	16
	30	93.9	90.0	39.5	22	60	20	68	35.8	19
3.5	16	60.2	56.0	34.1	14	45	15	51	29.5	17.5
	20	74.2	70.0	35.9	15	55	15	59	31.2	19
	25	91.7	87.5	43.6	26	65	20	68	38.7	18
	30	109.2	105.0	45.8	30	70	20	76	40.9	17
4	16	68.8	64.0	36.0	15	50	15	56	30.8	17
	20	84.8	80.0	37.5	17	60	18	64	32.5	18
	25	104.8	100.0	40.4	21	70	20	74	35.2	18
	30	124.8	120.0	43.2	25	80	25	84	38.1	16
4.5	16	77.4	72.0	39.3	15	55	18	63	33.5	18.5
	20	95.4	90.0	42.8	20	65	20	72	36.5	18
	25	117.9	112.5	45.0	25	75	20	82	39.0	18
	30	140.4	135.0	48.0	28	90	25	94	42.0	17
5	16	86.0	80.0	41.9	17	60	20	68	35.5	18
	20	106.0	100.0	44.7	21	70	20	78	37.7	18.5
	25	131.0	125.0	47.8	26	90	20	90	41.8	18.5
	30	156.0	150.0	52.5	32	110	30	103	45.7	18

Ordering Example:

2XM16/16

2XM Module

X Spiral

16 Teeth



Metric Spiral Bevel Gear Sets

1:2 RATIO

MODULE	Teeth	De	Dp	A	F	Dn	D1±1 mm	dm	L	Lm
2	16	36.6	32	22.5	10	27	10	45	21.0	11.7
	32	65.0	64	24.1	10	40	12	35	21.5	10
2.5	16	45.7	40	27.5	12	34	12	56	25.1	14.5
	32	81.3	80	29.2	12	50	15	43	25.9	15
3	16	54.1	48	28.4	15	40	15	62	25.2	12
	32	97.5	96	34.6	15	60	15	51	29.8	15
3.5	16	63.2	56	33.3	18	48	15	72	30.8	14
	32	113.8	112	39.1	18	70	20	58	34.1	19
4	16	72.2	64	36.2	20	50	20	81	32.2	13.5
	32	130.0	128	44.2	20	80	20	66	38.7	23
4.5	16	81.2	72	40.2	22	60	20	91	35.3	16
	32	146.2	144	49.2	22	80	25	74	42.4	24
5	16	90.2	80	50.0	25	60	20	106	45.3	21
	32	162.5	160	53.7	25	85	25	81	46.8	27

1:3 RATIO

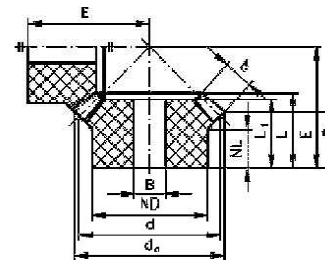
2	16	37.1	32	25.6	15	25	12	59	24	9.7
	48	96.6	96	25.2	15	50	15	36	21.4	13
2.5	16	46.4	40	27.7	18	33	14	70	26.2	8.9
	48	120.8	120	31.4	18	60	20	45	26.3	16
3	16	54.8	48	29.8	18	42	15	84	28.1	11
	48	145.0	144	36.6	18	65	20	54	31.1	19
3.5	16	64.0	56	36.8	22	48	15	99	33.9	13.6
	48	169.1	168	43.1	22	75	20	63	36	23
4	16	73.1	64	41.7	25	55	20	113	39.2	15.5
	48	193.3	192	49.2	25	85	22	72	40.9	27
4.5	16	82.2	72	53.7	28	60	20	134	50.2	24
	48	217.4	216	56.2	28	90	25	82	47.6	27
5	16	91.4	80	60.4	35	60	20	146	57.2	22.7
	48	241.6	240	63.6	35	100	28	91	53.6	35

1:4 RATIO

2	16	37.3	32	24	15	25	12	73	23.1	8.2
	64	128.5	128	27.2	15	70	20	39	23.3	14
2.5	16	46.7	40	31	18	34	15	93	29.1	12.2
	64	160.6	160	34.2	18	80	20	49	29.2	16
3	16	55.1	48	32.1	20	40	15	108	30.2	11
	64	192.7	192	40.9	20	90	20	59	35.1	22
3.5	16	64.3	56	40	25	45	15	127	38.2	13.6
	64	224.8	224	49.2	25	100	25	70	41.9	22
4	16	73.4	64	50	30	50	20	148	48.3	18.3
	64	256.9	256	58.6	30	110	28	82	50.8	30
4.5	16	82.6	72	55	32	60	20	167	53.2	21.5
	64	289.1	288	63.2	32	120	30	90	55.5	35
5	16	91.8	80	60.1	35	65	20	185	58.3	23.2
	64	321.2	320	68.1	35	120	30	98	59.4	42

METRIC Injection Molded Bevel Gears

Material: Acetal Resin (Hostaform C)



Bevel Gears

Part No.	Module	Ratio	Teeth	Outside						Bore Ø				MD Ncm	Weight g
				Ø d _a	Pitch Ø d	Hub Ø ND	NL	L ₁	L	b	B	E	G		
0.5AM16R1.1	0.5	1:1	16	8.7	8	7	6	8	8	2	3	10.5	6.6	0.9	0.3
1AM16R1.1	1.0	1:1	16	17.6	16	12	8	13.6	13.6	4.7	5	18.4	10.6	8.3	1.9
1AM30R1.1	1.0	1:1	30	31.4	30	15	7.4	12.9	15.3	7.4	6	24.8	10.8	58.0	5.9
1AM15R2.1	1.0	2:1	15	16.8	15	12.2	10.6	17	17	6.6	5	26.4	11.5	12.0	2.4
1AM30R2.1	1.0	2:1	30	31.1	30	18	9.1	14.8	16.2	6.6	8	20.9	13.6	12.0	6.3
1AM15R3.1	1.0	3:1	15	16.6	15	12.3	11	20.4	20.4	9.2	5	34.3	12.1	16.0	2.7
1AM45R3.1	1.0	3:1	45	46.1	45	23.4	9.6	16.5	18.2	9.2	10	22.7	15.7	16.0	16.0
1AM10R4.1	1.0	4:1	10	12	10	7.8	903	17.7	17.7	8.2	4	30.1	10.1	4.5	0.9
1AM40R4.1	1.0	4:1	40	40.8	40	23.4	10.8	15.7	17	8.2	10	20.1	15.1	4.5	12.6
1AM12R5.1	1.0	5:1	12	13.7	12	9.5	10	20.3	20.3	9.5	4	40.5	10.5	12.0	2.0
1AM60R5.1	1.0	5:1	60	60.4	60	20.5	11	15.5	17.4	9.5	10	21	15.4	12.0	17.0
1.5AM16R1.1	1.5	1:1	16	26.4	24	18.5	10	16.2	18.4	7	8	25.8	14.4	29.0	5.9
1.5AM15R2.1	1.5	2:1	15	25.4	22.5	17	11.5	22.8	22.8	10.5	8	35.8	13.8	43.0	7.5
1.5AM30R2.1	1.5	2:1	30	46.4	45	23.4	9.6	17.5	19.5	10.5	10	26.2	15.0	43.0	17.0
1.5AM15R3.1	1.5	3:1	15	25.1	22.5	17.2	12.5	26.8	26.8	14	8	47.9	13.5	64.0	8.5
1.5AM45R3.1	1.5	3:1	45	68.8	67.5	30.4	11.5	21.5	23	14	12	29.4	19.2	64.0	49.0
1.5AM10R4.1	1.5	4:1	10	18	15	11.3	10.9	23.5	23.5	12.3	5	41.7	11.7	17.0	3.0
1.5AM40R4.1	1.5	4:1	40	61.2	60	30.4	12.8	20	21.7	12.3	12	26.2	18.6	17.0	32.0
2AM16R1.1	2.0	1:1	16	34.9	32	21.9	9.6	18.3	21.2	10	10	30.4	14.9	73.0	10.4
2AM15R2.1	2.0	2:1	15	33.6	30	22.5	11.8	26	27	14.6	10	44.2	14.5	107.0	13.3
2AM30R2.1	2.0	2:1	30	62.2	60	30.2	11.8	22.6	24.2	14.6	12	32.6	18.5	107.0	41.0
2AM10R3.1	2.0	3:1	10	24	20	16.6	12	25	25	12.5	6	43.7	13.2	30.0	6.1
2AM30R3.1	2.0	3:1	30	61.7	60	30.3	11.5	20.2	22.5	12.5	12	28	19.0	30.0	38.0
2AM10R4.1	2.0	4:1	10	23.8	20	14.3	12.8	28.9	28.9	16.3	6	54	13.2	40.0	6.4
2AM40R4.1	2.0	4:1	40	81.5	80	36	16.6	24.7	27	16.3	18	32.5	23.1	40.0	65.0
2.5AM16R1.1	2.5	1:1	16	43.5	40	25.2	11.5	22.9	26.3	12.3	12	37	18.2	145.0	20.0
2.5AM15R2.1	2.5	2:1	15	42	37.5	26.5	13	29.6	31.2	17.3	12	53.3	16.4	209.0	23.6
2.5AM30R2.1	2.5	2:1	30	77.3	75	36.1	15	27.5	29.5	17.3	16	40.5	22.8	209.0	69.0
2.5AM10R3.1	2.5	3:1	10	29.7	25	18.8	13	28.8	28.8	15.7	8	52.4	14.1	60.0	10.2
2.5AM30R3.1	2.5	3:1	30	77.2	75	36.1	15.5	25.2	29	15.7	18	35.7	24.1	60.0	68.0
3AM16R1.1	3.0	1:1	16	52.3	48	28.8	13.2	25.8	29.2	13.8	14	43	20.6	250.0	32.0
3AM15R2.1	3.0	2:1	15	50.3	45	31.2	14.8	35	36.3	20.5	14	63.3	19.0	370.0	38.0
3AM30R2.1	3.0	2:1	30	93	90	45	19	34.2	37	20.5	18	49.5	29.2	370.0	129.0
3.5AM16R1.1	3.5	1:1	16	61.4	56	33.3	14.4	28.1	33.1	15.8	18	49.5	22.8	440.0	50.0

Note: Injection molded bevel gears sold individually, not as a set.

Sample Part:

0.5AM16R1.1

0.5 = Module

AM = Injection Molded

16 = No. Teeth

R1.1 = Ratio